

# SKYTUBE POWERVENT



... the future begins here

 **SKYDOME**®





# Skydome

## ... making life indoors

Skydome's range of world famous Skytube tubular skylights have become a benchmark in tubular skylighting. The exciting Skytube Intech 250mm diameter, and the light abundant Skytube 400mm offer homeowners the ultimate in choice for quality tubular skylights.

### Which Skytube is better for me?

Tubular skylights are designed to do a specific task; to bring light into a confined space. To make a room look lighter, brighter and more appealing. Skydome's range of tubular skylights are designed and manufactured to offer a quality product that will last for many years to come. But remember, not all skylights are the same, and getting the right advice means you can make the right decision.

## SKYTUBE INTECH® 250

Until now, tubular skylights have only performed at their optimum level when the sun is high in the sky (from 10.00am to 2.00pm). In most instances, tubular skylight performance decreases dramatically in the early and late afternoon when needed most.

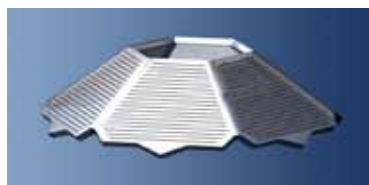
Skytube Intech collects the low elevation sunlight in the early morning, late afternoon and winter, whilst at the same time regulating the light during the hot midday summer sun to provide cooler daylight.

The use of our patented Variable Pitch Adaptor enables us to provide a straight path of light between any roof pitch and ceiling, and to bypass obstacles without having to bend our tube around them. It is common knowledge that "light does not travel around corners".

The transfer of light down the tube (or the light transfer pipe), is particularly enhanced with Silvertube, a 97% reflective, light transfer pipe. This guarantees minimal light loss between what enters and what is transferred to the room below.

### THE INTECH LENS®

**INTECH**



**Skytube Intech is a truly smart skylight.**

### Low Elevation Sun (morning or afternoon)



Very little early morning, late afternoon and low elevation winter sunlight is captured. Too many bounces negates performance.



Captures the early morning, late afternoon and low elevation winter sunlight.

### Midday Summer Sun



Allow all of the hot midday summer sun to shine directly into the room.



Restricts the hot midday summer sun, providing cool daylight to the room.

BEFORE

AFTER



Skytube Intech's compact size makes it the ideal skylight solution for small spaces, where a traditional skylight size is unwarranted.

Similar to task lighting we recommend Skytube Intech for installation in smaller rooms, hallways, bathrooms and laundries, however multiple installations in the one room will provide spectacular results.

The Skytube Intech is easy to install. Moulded flashings are designed to suit specific roof types including corrugated metal, metal deck, concrete tile, terracotta tile, facilitating ease of installation and most importantly, watertightness.

We provide a comprehensive installation service; fully warranted. We will gladly provide you with obligation free advice and quotations. Selecting the right type of product and size for your home can be a daunting exercise. Rest assured our technicians are trained to provide you with the right advice and to help you make the right choice, first time.

**SKYTUBE INTECH 250 SPECIFICATIONS:**

Diameter of tube: 250 mms

Light tube lengths: up to 6 metres

## SKYTUBE 400

For medium-sized rooms in need of fresh, natural light and ventilation, consider the Skytube 400. With an attractive low-profiled roof dome, Skytube 400 will transfer natural light into the room below, making it brighter, fresher and more inviting.

The light is transferred from the sky to the room below using a highly reflective Flexishaft or Silvertube. This enables ease of installation and versatility.

The stylish ceiling diffuser allows ventilation to be controlled at the ceiling level. It has three positions: closed, half vent and full vent. Again, the 400 series utilises two forms of light-carrying systems:

**Option One** - the 400mm Flexitube®, utilises a flexible lightshaft

**Option Two** - the 400mm Skytube®, utilises the high performance Silvertube.

Please note, for maximum performance and energy efficiency, we recommend the use of our Intech lens for option one.

**SKYTUBE 400 SPECIFICATIONS:**

Diameter of tube or flexishaft: 400 mms

Light tube lengths: up to 6 metres



# SKYDOME® 550

Need more light? The Skydome 550 mm square traditional skylight offers a cost effective way to bring more light and life into a medium sized room. You can choose a vented system for improved air flow or a non-vented system. The Skydome 550 is available in three glazing options: clear, tinted or opal.

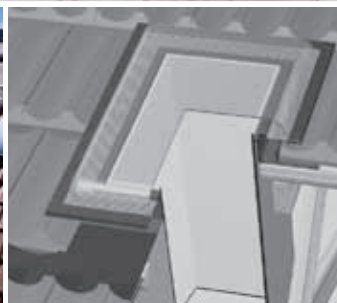
You have an option of light shafts (which transfers the natural light from the roof to the room below) including a built light well or the cost-saving flex light well.

## SKYDOME 550 SPECIFICATIONS:

Dimension: 550mm x 550mm

Suits Room Size: 2.4m x 3.0m

Typical light shaft length: up to 4 metres



## Energy Efficiency

Tubular skylights reduce absolute heat loss and heat gain because of their small cross-sectional area. Their daylighting effect relies on their ability to 'capture' and disperse direct-beam solar radiation. A specularly-reflecting tube, such as Skydome's Silvertube is used to direct the sunlight downward, with best results being achieved by a straight tube with a silvered lining. Preferably, tubes should have a specular visible reflectance of 85% or greater (AS 4285-2007). Diffusers should be fitted to these skylights to reduce glare and to throw light over a broad area.

Skylights are "a natural" for one and two storey construction and places where human happiness matters" (Heschong 1998). They increase the amenity of internal spaces that have no windows and they promote architectural freedom.

The skylight module of the Window Energy Rating Scheme is known as WERS for Skylights. It provides a compatible, yet distinct, system for the energy rating of skylights. The scheme takes account of key differences between the energy performance of windows and skylights.

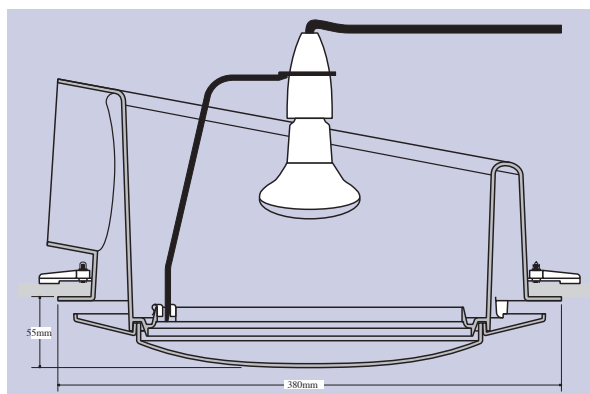
Skydome Skytubes are a perfect energy-saving addition for any home.

## ACCESSORIES

Skydome has a range of Skytube accessories and options to enhance any home including incandescent lights for night use, ventilation options and a new innovation, the daylight dimmer.



Exclusive to the Skytube range is the new variable daylight dimmer. With a simple wall mounted unit, you can control the amount of light that is let into your room any time of the day. (electrical installation required, manual control is also available.)



SKYLAMP is a marvelous way of combining your SKYTUBE with a concealed lamp to provide brilliant illumination at night or on dull days. SKYLAMP can be fitted with a reflector bulb up to 75 watt rating. Fitting instructions are included in the pack.

# POWERVENT SMV 300

Our harsh Australian environment and often poor building design can result in our homes heating up very quickly during the day. Heat trapped in the roof space also results in timber distortion, sagging ceilings and, ultimately, paint problems.

During winter months, moisture can become trapped within the roof cavity, resulting in the growth of mould and mildew. While all of this happens in the background, the most important reason to ventilate is to **cool your home and substantially reduce your air conditioning energy costs.**

As the heat builds-up in your roof, it radiates through the ceiling and into the rooms below. This heat becomes trapped in a band up to 500mm deep - if the ceilings in your home are 2.4m high, this heat band can be just above your head height!

**Ventilation of your roof cavity is the most effective way to combat all of these problems.**

**The answer? Skydome's Powervent SMV300. Equal to 8 wind-powered twirling vents. Hot day + no wind = poor result!**

## Benefits:

- SMV300 extracts hot air from the roof cavity substantially reducing your energy bills.
- Under Eave Vents are recommended to increase the performance of the system.
- Powervent can also allow hot air to be extracted from individual rooms using directional ducting and ceiling grille.
- You may choose to utilise a timer to pre-set the operating mode.
- Simply plugs into a power point in your roof cavity (an electrician is required ) or hardwired to a switch inside a room in your home.



# SOLAR POWERVENT

Skydome's Solar Powervent uses the sun's natural rays to generate power via photovoltaic cells mounted on the moulded unit. Skydome's Solar Powervent is especially engineered to permit an efficient fresh air circulation, which provides year-round benefits. 10-Watt solar powered fan is capable of covering a roof space of up to 115 square metres, and our largest unit, the 20-Watt fan covers up to 190 square metres. Additional units are recommended for larger roof spaces.

## Features include:

**Adjustable Solar Panel:** high quality photovoltaic module, 10- or 20-watt, 10 year warranty. The panel can be adjusted to catch maximum solar power during the day; other brands may not be adjustable.

**Top Cover:** aluminum, powder coated black.

**Louver Ring:** aluminum, engineered to allow maximum amount of air-flow but small enough to keep insects out.

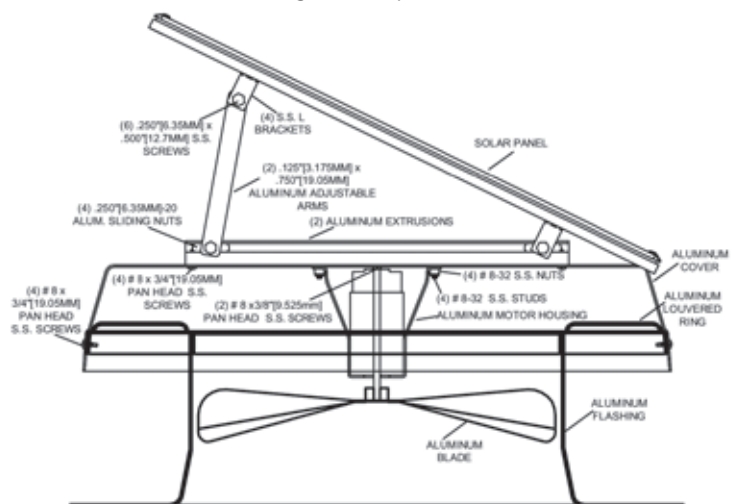
**Roof Flashing:** Easy to install, leak proof and suit any roof and pitch. Skydome can powdercoat the flashing to suit most corrugated and most modern roofing colours.

**Fan Motor:** 38.2 VDC brush style motor, formulated with soundless ventilation, 5 year warranty.

**Fan Blade:** 5 wings, aluminum, and maximum air flow with low horsepower consumption.

**Thermal snap switch (optional):** the thermal snap switch is designed to turn on the Skydome Solar Powervent when the temperature in the roof space reaches approximately 29 degrees Celcius. This feature allows you to control the temperature in your roof and substantially reduce cooling costs.

N.B. Like most solar-powered products (such as solar hot water) optimum performance requires direct sunlight.



Solar Powervent Specs



## NEW SOUTH WALES SALES & SHOWROOM

Cnr Queens Road & William Street, Five Dock NSW 2046  
PO Box 138, Five Dock NSW 2046

Ph: 02 9745 1522 • Fax: 02 9744 1267 • Email: info@skydome.com.au

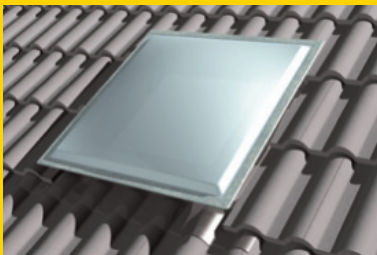


## QUEENSLAND SALES & SHOWROOM

Unit 2, 11 Eileen Street, Underwood QLD 4119

Ph: 07 3299 4377 • Fax: 07 3208 0701 • Email: info@skydome.com.au

### SKYDOME®



The original SKYDOME® remains the number one choice when it comes to delivering natural light to any area of the home, office or building.

Installing a SKYDOME® provides the freedom to design any room away from the exterior walls while delivering natural light in a cost and energy-efficient way.

Skydomes are domed skylights that suit most types of roofing systems. Proudly Australian made, Skydome's robust roof flashings guarantee no leaks.

### SKYWINDOW™



A SKYWINDOW® provides an opportunity for architects, designers, builders and renovators to deliver light, air and life to any part of a building.

A SKYWINDOW® will add a new dimension to any home by introducing natural light and refreshing breezes to any room.

Skywindows are double-glazed, nordic pine and have been awarded a five-star energy rating.

### GLASS SKYLIGHT



SKYDOME® has a comprehensive range of glass skylights to bring fresh natural light into any room. With a range of glazing options, including single and double glazed.

Skydome's glass skylights offer improved thermal and acoustic qualities for Australian homes. If you live in a bush fire zone we can provide an approved glass skylight that complies to Australian Standards and Building Code of Australia.

Established in 1976, Skydome is the product preferred by the Australian building industry.

#### AGENT/RESELLER

skydome.com.au - the only web address you will need when it comes to natural lighting and ventilation products.

#### DISCLAIMER

The information contained in this brochure was correct at time of publication. Skydome Skylight Systems has the right to change any specifications at any time. Any updated or changed specifications or product features will be made available on the company web site: www.skydome.com.au.

Skydome Skylight Systems will not be responsible for any physical or financial loss or disadvantage based on the specifications contained within this brochure.



MBA