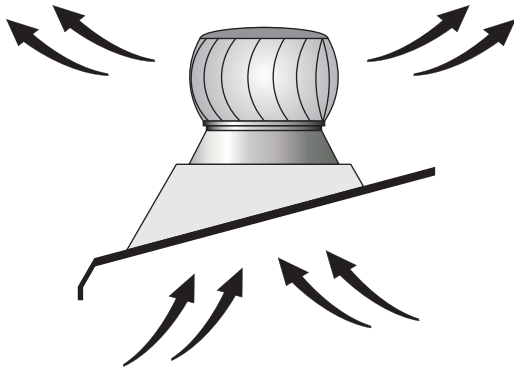


# SF1001

Twirlyvent Roof Ventilator



## Skydome<sup>®</sup> SF1001 TwirlyVent

### To Specify

“Natural ventilation to be ‘Skydome SF1001Twirlyvent ’ as manufactured by Skydome Skylight Systems Ltd, phone 131424.

Model: SF1001 Twirlyvent  
Roof Type: please specify (refer order codes below)

### Features

- ❖ Exhausts hot air from the roof cavity.
- ❖ Injection moulded vane design and twin precision stainless steel bearings, provide superior performance in light breezes and won't rust or corrode.
- ❖ Easily installed into most roof types using Skydomes unique roof profiles..
- ❖ In combination with air intakes (intake grilles can be located in ceiling or under eaves) this system provides cross ventilation of the roof cavity for improved performance.

### Model (for required roof profile)

Order Code	Description
SF1001TT	Terracotta Tile
SF1001CT	Concrete Tile
SF1001CR	Corrugated Profile
SF1001MD	Metal Deck Profile
SF1001SS	Slate or Shingle
SF1001UF	Unifit (all purpose)

### Options

Order according to roof pitch\*:

Single adapter	1
Double adapter	2

e.g. TVCT2  
(2 indicates double adapter model)

\*Refer over page for correct adapter

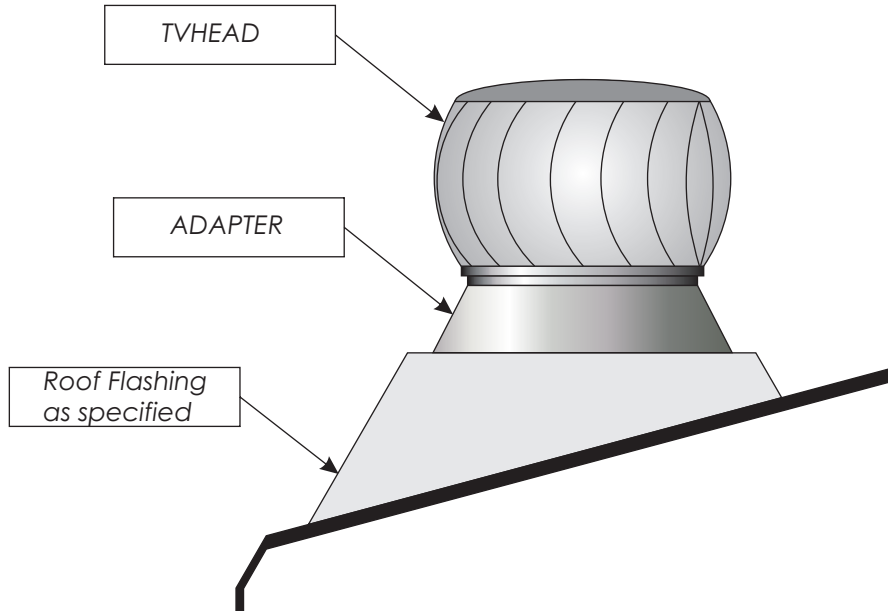
### Accessories

#### Ceiling Grilles

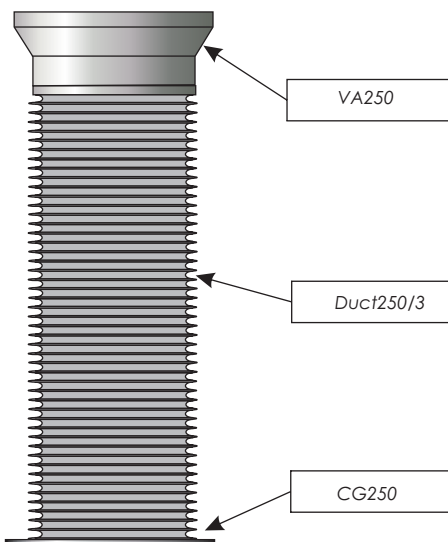
CG150/106	150mm Round (adjustable)
CG150/126	150mm Round Down Jet (adjustable)
CG150/MAG	150mm Square with Magnetic Core
CG150/LOUVRE	150mm Square External Grille
Eavevent	Poly Eave vents

Duct Kit                      Ducting kit with ceiling grille

**SF1001**



**Optional** Ducting Kit with ceiling grille for room ventilation.



No	Code	Description
<b>Carton C</b>		
1	TVHEAD	Twirlyvent Head Only
1	Adapter	Twirlyvent Adapter
1	ST250FLA/XX	Roof Flashing Profile (refer order codes)
1	ST250ACC/XX	Flashing Accessory bag
1	TVACC	Twirlyvent Accessory Bag

Adapter Chart		
Roof Type	Pitch	Adapter
Concrete Tile	> 26°	Double
Terracotta Tile	> 30°	Double
Corrugated Metal	< 16°	Double
	> 30°	Double
Metal Deck	> 14°	Double
Slate/Shingle	> 30°	Double

Use a Single Adapter in all other conditions.